

# MS11 touchless actuator

## Automatic swinging doors



### Features & benefits

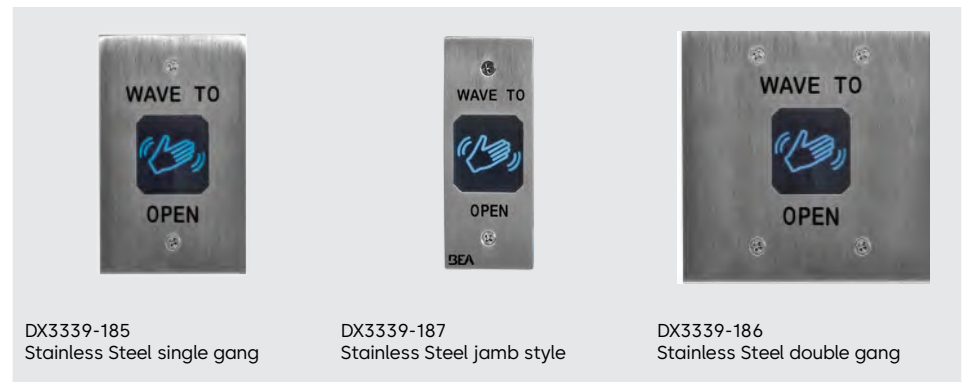
- NEMA 4 (IP65) enclosure capable of use in industrial and extreme wash down environments.
- Illuminated blue center changes to green upon signal reception / activation.
- Adjustable motion sensing zone from 2" – 24" (pulse or toggle).
- Adjustable audible alert setting, including silent mode required for hospitals and other noise-sensitive environments.
- Configurable output hold time of 1 – 30 seconds, allowing unique, user-defined device placement.
- Compatible with all automatic door control makes and models.

### Description

The MS11 touchless activation device is designed to reduce the spread of germs and improve accessibility in healthcare, retail, industrial, and commercial applications. The MS11 has been built to withstand the extreme rigors of fast-paced and sanitary environments.

The flush-mount MS11 is a durable stainless steel device utilizing adjustable range microwave technology. The MS11's illuminated center and audible signaling confirm activation and encourage proper touchless use. The MS11 detects moving objects such as a hand, cart, or wheelchair.

### MS11 microwave touchless actuator

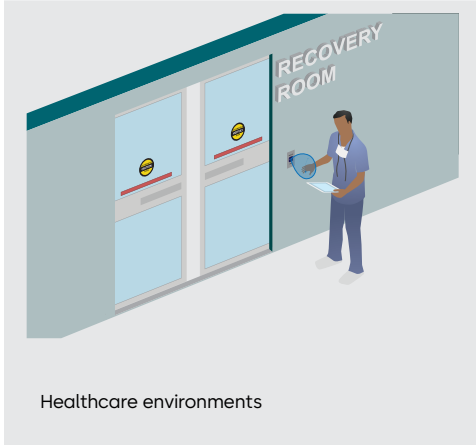


DX3339-185  
Stainless Steel single gang

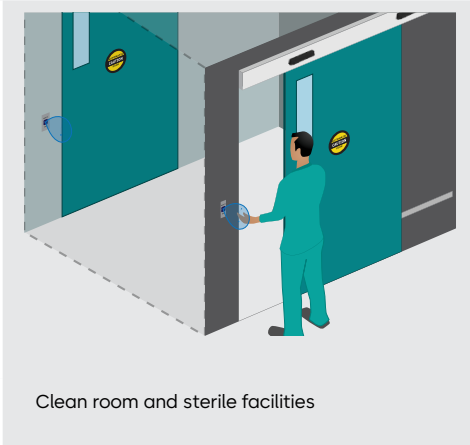
DX3339-187  
Stainless Steel jamb style

DX3339-186  
Stainless Steel double gang

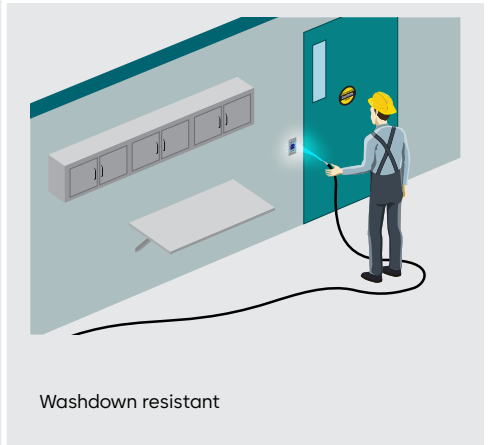
## Applications



Healthcare environments



Clean room and sterile facilities



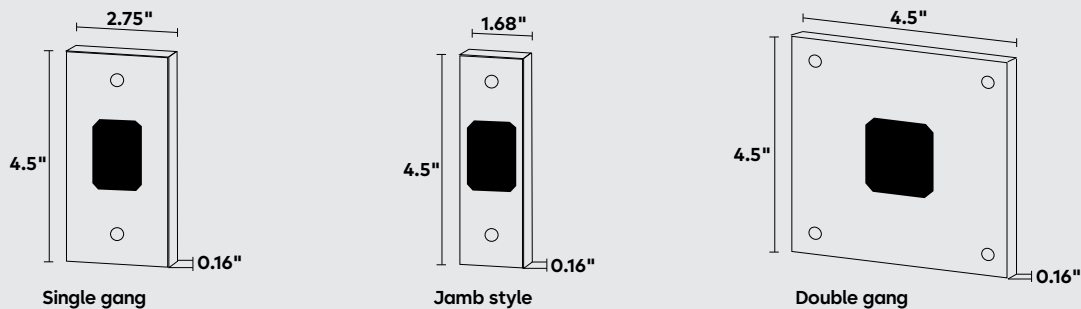
Washdown resistant

## Technical specifications

<b>Technology</b>	Microwave doppler radar
<b>Detection mode</b>	Motion (bi-directional), toggle, or timed mode
<b>Sensing zone *</b>	2" – 24" (adjustable)
<b>Hold time</b>	1 s – 30 s
<b>Alert settings</b>	
Audible alert	Silent mode or signal mode
Visual alert	Blue (standby), Green (activation)
<b>Supply voltage</b>	12 – 24 VAC / VDC or 5 VDC
<b>Current consumption</b>	< 2.8 W
<b>Temperature range</b>	-22°F – 158°F
<b>Enclosure rating</b>	NEMA 4 / IP65
<b>Relay</b>	1-Form C solid state relay 1 A 30 VAC / VDC (max)
<b>Dimensions</b>	
Single gang	2.75" (W) × 4.5" (H) × 0.98" (D)
Double gang	4.5" (W) × 4.5" (H) × 0.98" (D)
Jamb	1.68" (W) × 4.5" (H) × 0.98" (D)
<b>Wire harness length</b>	12"
<b>Material</b>	Stainless steel (faceplate) / ABS (center)

\* See User's Guide

## MS11 touchless actuator dimensional drawings



© dormakaba 2024 Information on this sheet is intended for general use only. dormakaba reserves the right to alter designs and specifications without notice or obligation.

**Any questions? We would be happy to advise you.**

Contact us at: 1-800-265-6630